



LIQUID LEAK DETECTION SYSTEMS
OIL & GAS DIVISION

FG-STAD

Standalone Alarm Unit For Hydrocarbon Leak Detection Sensor

Product Datasheet



- ▶ Stand-alone and Independent System
- ▶ 2 Unipolar Outputs
- ▶ Embedded Battery
- ▶ Exclusive for FG-OD Range Products

Description

The FG-STAD is designed to be used with the TTK FG-OD range of hydrocarbon leak detection sense cables, or the hydrocarbon point sensor, FG-ODP.

It allows TTK sense cables or point sensors to function in a fully stand-alone mode, without fixed voltage power supply, thanks to its embedded battery.

It also allows easy interfacing to third-party supervising equipment and is equipped with two unipolar outputs. One output reacts when the connected sense cable or point sensor detects a hydrocarbon leak, the other when a system fault appears.

Features & Benefits

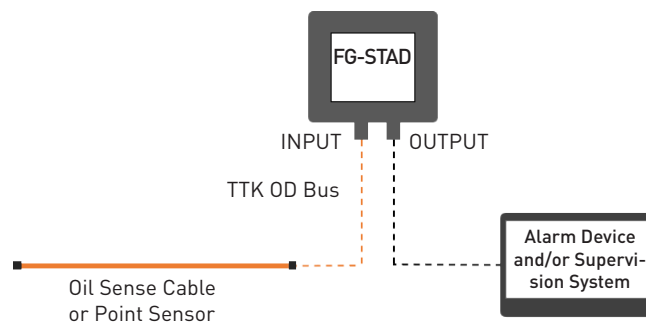
FEATURES

- The FG-STAD unit monitors one hydrocarbon leak point sensor or one hydrocarbon sense cable.
- No voltage supply is needed, the panel is supplied with an embedded battery with a lifespan of at least three years.
- Accessible terminals for quick installation.
- Two discreet unipolar outputs which provide easy interfacing to third-party supervising equipment.
- External alarm device: flashing light, buzzer, horn, ...

BENEFITS

- The FG-STAD is simple to use and install, and is ideal for a small or/and remote application for hydrocarbon leak detection.
- Minimal maintenance, with a periodical battery change every three years being all that is required.

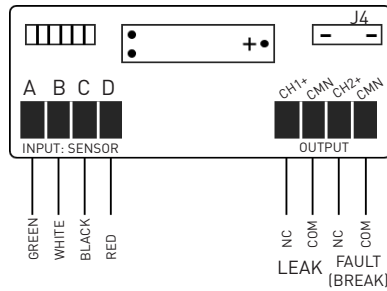
Schematic



Technical Data

Compatibility	Hydrocarbon sense cables: FG-OD, FG-ODC, FG-ODR; Point Sensor: FG-ODP
Capacity	Capacity limited to 1 detector, either a hydrocarbon point sensor or a hydrocarbon sense cable
Enclosure Type	IP65 ; aluminum alloy
Glands Material	Stainless steel
Operating Temperature	-30°C to 80°C
Max. Switching Capacity	24VCC and 50mA
Supply Voltage	No voltage supply
Dimensions (W,H,D)	115 x 90 x 55 mm

Mounting



CH1+: Channel 1 - corresponds to the leak.
 CH2+: Channel 2 - corresponds to the cable break.
 CMN: Common

- UNIT ON-OFF SWITCH: J4 : To be moved to ON (internally) position to power-on the unit.
- The two channels are polarized, it is necessary to respect the + and the -.
- The two channels operate in NC (closed in normal, and open in alarm).
- If the battery is out of service, both channels are in alarm.

- When FG-STAD is used with a hydrocarbon sense cable (FG-OD / FG-ODR / FG-ODC), connect only 3 white-black-red wires respectively to terminals B-C-D. The terminal A is not be used since there is no green wire. No need to add a shunt or resistor.
- When FG-STAD is used with a hydrocarbon point sensor FG-ODP, connect the 4 green-white-black-red wires respectively to terminals A-B-C-D.

Identification Codes

FG-STAD	Standalone Alarm Unit For Hydrocarbon Leak Detection Sensors
FG-OD	Addressable Oil Sense Cable
FG-ODC	High Sensitivity Addressable Oil Sense Cable
FG-ODR	Low Sensitivity Addressable Oil Sense Cable
FG-ODP	Addressable Oil Point Sensor
Accessories:	
FG-CLOD	Leader Cable, on 'OD Bus 8771'
FG-TMOD	Digital End Plug on 'OD Bus 8771' for FG-OD Cable
FG-NOD N	'OD Bus 8771' Neutral Cable 'N' (30, 15, 7, 3, 1m) With Connectors
CF-OD50	50 Hold-down Clips with Adhesive for Oil Cables
ES-OD	40 Tags for Oil Cables

Certificates



ATEX / IECEx certificates for FG-STAD alarm & location unit are in progress.
 FG-OD sense cables which are certified by ATEX can be connected to the FG-STAD alarm & location unit.
 The FG-STAD unit meets the requirements of all European Standards in EN61000-6-2 / EN61000-6-3/EN61000-3-2/EN61000-3-3.

All the connections in the FG-STAD alarm locating system unit must be done with the power supply switched off.

This brochure has been carefully prepared to ensure technical accuracy but is only intended for promotional use. TTK cannot guarantee that the information contained herein contains no errors or omissions, and hence does not accept responsibility related to the use of its equipment. TTK maintain its obligations set forth in the Standard Terms and Conditions of Sale and will not, under any circumstances, assume liability for any incidental damages, indirect or consequential, arising from the sale, resale, use or misuse of this product. The purchaser(s) accept their responsibility as the sole judge(s) of the adaptability of the product for the intended use.
 FG-NET, FG-SYS and TOPSurveillance are trademarks of TTK S.A.S. © TTK 2020

- **TTK Headquarters** / 19 rue du Général Foy / 75008 Paris / France / T : +33.1.56.76.90.10 / F : +33.1.55.90.62.15 / www.ttk.fr / ventes@ttk.fr
- **TTK Oil & Gas Division** / 19 rue du Général Foy / 75008 Paris / France / T : +33.1.56.76.90.10 / F : +33.1.55.90.62.15 / www.ttk.fr / rrisi@ttk.fr
- **TTK UK Ltd.** / 3 Luke Street / London EC2A 4PX / United Kingdom / T : 0207 729 6002 / F : 0207 729 6003 / www.ttkuk.com / sales@ttkuk.com
- **TTK Pte Ltd.** / #09-05, Shenton House, 3 Shenton Way / Singapore 068805 / Tel.+65-6220.2068 / Mob: +65.9271.6191 / Fax: +65-6220.2026 / www.ttk.sg / sales@ttk.sg
- **TTK Asia Ltd.** / 2107-2108 Kai Tak Commercial Building / 317 Des Voeux Road Central / Hongkong / Tel.+852.2858.7128 / Fax.+852.2858.8428 / www.ttkasia.com / info@ttkasia.com
- **TTK Middle East FZCO** / Building 6EA, Office 510 PO Box 54925 / Dubai Airport Free Zone / UAE / T: +971 4 70 17 553 / M: +971 50 259 66 29 / www.ttkuk.com / cgalmiche@ttk.fr
- **TTK Deutschland GmbH** / Berner Strasse 34 / 60437 Frankfurt / Deutschland / T : +49(0)69-95005630 / F : +49(0)69-95005640 / www.ttk-gmbh.de / vertrieb@ttk-gmbh.de
- **TTK North America Inc** / 1730 St. Laurent Boulevard, Suite 800 / Ottawa, ON K1G 5L1 / Canada / T : +1 613 566 5968 / www.ttkcanada.com / info@ttkcanada.com
- **Thomas Sales & Marketing Inc. TTK Master Distributor For USA** / 7200 W 66th St / Bedford Park, IL 60638 / The United States / T: +1 630-518-4724 / www.ttkusa.com / dmolk@ttkusa.com